

Sealed lead acid batteries

25 Ah mainship battery



Securaplane Sealed Lead Acid (SLA) mainship batteries have technology that beats NiCad, lead-calcium and lead antimony in every category of performance, ultimately saving operators thousands of dollars annually.

Securaplane is the master distributor and design and certification authority for EnerSys Hawker brand batteries for commercial and business aviation in the USA.

Hawker mainship batteries offer significant performance enhancements compared to competing products.

Key features

- 99.99% pure lead construction for enhanced life and performance.
- Batteries shipped fully charged and ready to install.
- Non-hazardous for shipping by ground and air.
- True no-maintenance with unsurpassed cranking power.
- Hot and cold performance exceeds competing products
- Monobloc replacement significantly less than the list price of new battery

Applications

- Hawker HS125 through 900 XP series (including 750)
- BAe 146/Avro 146
- Jetstream 3100/3200

Securaplane

Our product competencies and services

Aircraft security systems | Airborne video cameras | **Aircraft batteries** | Battery chargers | Inverters | Converters | Wireless integration

© Securaplane | January 2014

MEGGITT
smart engineering for
extreme environments

Sealed lead-acid batteries

25 Ah mainship battery

Specifications

Part number
9750W0640

Size
11.9 x 9.5 x 8.9 inches max

DC connector (J1)
MS18093/MS3509

Qualification
DO-160C

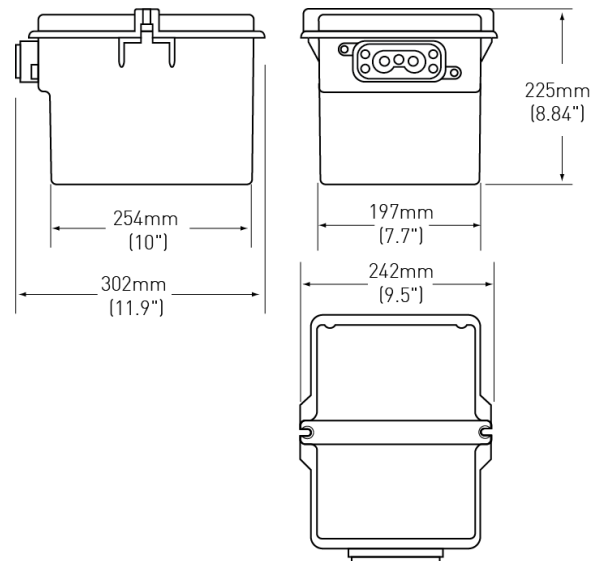
Weight
59.5 lb (27 kg)

Nominal voltage
24V

Nominal capacity
28Ah

Transportation

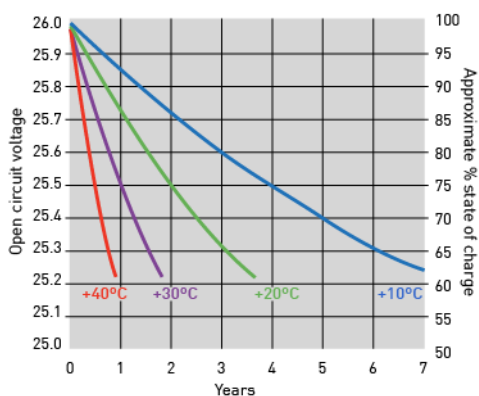
Non-hazardous and unrestricted when securely packed and protected against short circuit.



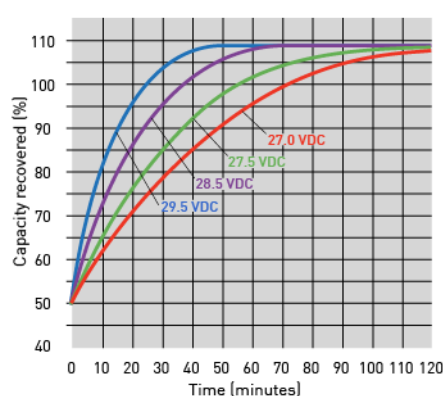
Specification subject to change.
Images for illustration only.
Please contact Securaplane for installation data

Performance

Storage of uncommissioned product

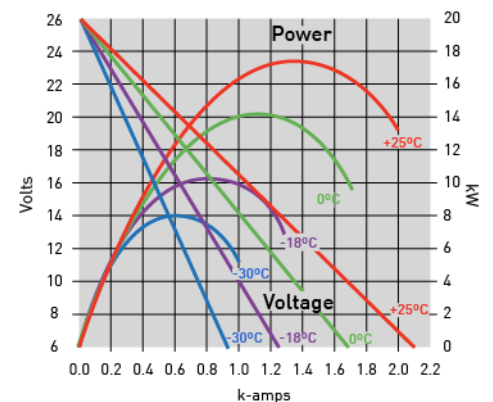


Charge recovery rate vs charge voltage



Power rating

Testing of Group B sample to Batspec 210 clause of 3.9 and IEC 952-1 clause 6



Securaplane

12350 N Vistoso Park Road
Oro Valley AZ 85755
USA

Tel: +1 (520) 297 0844
Fax: +1 (520) 498 4924

www.securaplane.com
www.meggitt.com

MEGGITT
smart engineering for
extreme environments